

conecto SINUS 06NS50-4D



Conecto Sinus joint is innovation solution on the market. Due to unique construction and best quality materials it gives feeling when driving over it, that there is no profile in the floor. Using sinusoid joint you could avoid floor cracking and difficult and expensive reparations. Conecto Sinus joints completely absorb shocks and they are completely invisible in usage. Usage of Conecto Sinus joints minimizes operation costs. They reduce problem of damaged fork-lift wheels, loading equipment and goods destruction due to shocks.

Conecto Sinus expansion joints allow for a movement between floor plates:

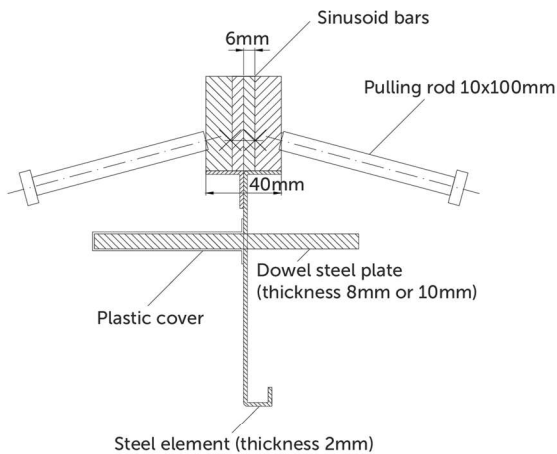
- dowel size 180x120x8mm ± 15 mm parallel and ± 20 mm perpendicular
- dowel size 180x140x10mm ± 20 mm parallel and ± 30 mm perpendicular

Sinusoid joint evenly moves tension which gives correct mutual horizontal and side-by-side movements. Another advantage of these joints is easy installation. You just need to put the strip in proper place and anchor it to the ground. Anchoring elements size and shape are designed to give the biggest surface to move the tenses between parts of the floor.

Conecto Sinus system allows for the free movement of forklifts which wheels are particularly damaging for wrong made expansion joints.



conecto SINUS 06NS50-4D



- Possibility to use top sinus bars made of 4mm or 6mm thickness steel
- Possibility to prepare sinus made of total galvanized steel or stainless steel top
- Possibility to use foam 5mm or 10mm in whole height
- Very big surface of steel dowel standard size 180x120x8, possibility to use bigger dowels - 180x140x10
- Standard space between dowels 600mm (4D)
- Possibility to use more dowels per one joint (5D, 6D) to increase max loads on floor
- Standard grade steel on top S235, dowel system S355
- Plastic cover made of highly resistant ABS plastic

Floor height [mm]	Profile height [mm]	Dowel size [mm]	Dowel spacing [mm]	One piece weight [kg]	Max pieces on pallet [pcs]	Pallet weight [kg]
135-155	125	180x120x8	600	24.8	80	2150
160-185	155			25.9	70	2000
185-205	175			26.7	60	1800
210-230	200			27.6	50	1600
235-255	225			28.6	50	1650
260-280	250			29.5	50	1700
285-305	275			30.5	50	1750

- ability to perform a profile in any height of 5 mm.
- standard length 2.4 meters

